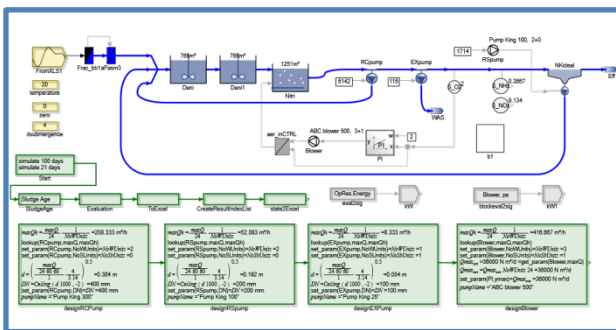


The Next Generation Simulation Platform

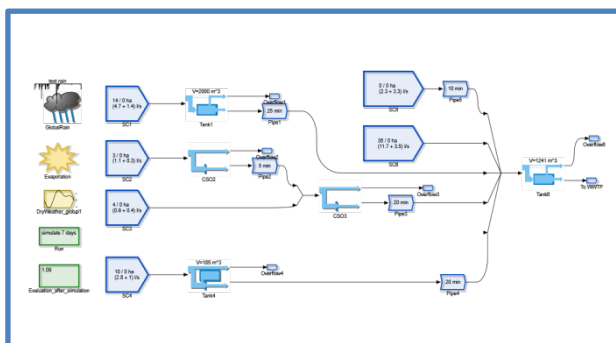
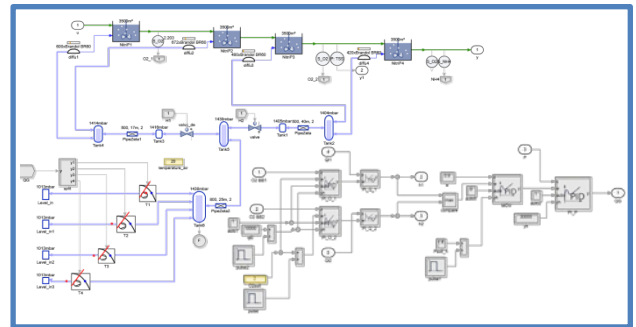
Simulation of Sewers, Wastewater / Sludge Treatment, and River Water Quality



SIMBA# is the newest member of the SIMBA™ simulator family and provides a fully integrated simulation platform for run-off, sewer systems, WWTPs and rivers. SIMBA# is a stand-alone simulator which takes urban wastewater system design and optimization to another level.

Key Functionalities include

- Full on-line connectivity between all elements of urban water systems
- Seamless integration of static design, dynamic simulations, equipment sizing and selection
- Best-in-class for development and testing of real-time control strategies

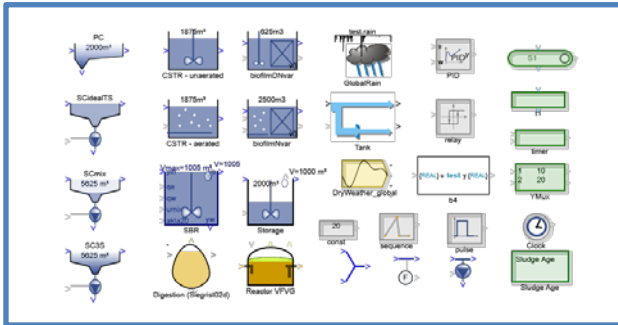


SIMBA History

- 1994: First version released
- Market leader in German -speaking countries and The Netherlands
- 2013 : SIMBA# (w/o MatLab™) released
- 2016: New SIMBA# 2.0 version with major performance and usability improvements and general 32/64 bit support



Features and Support

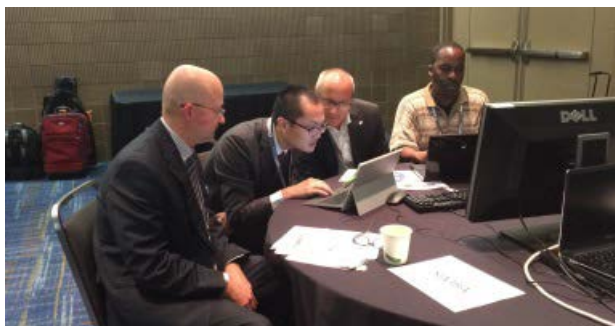
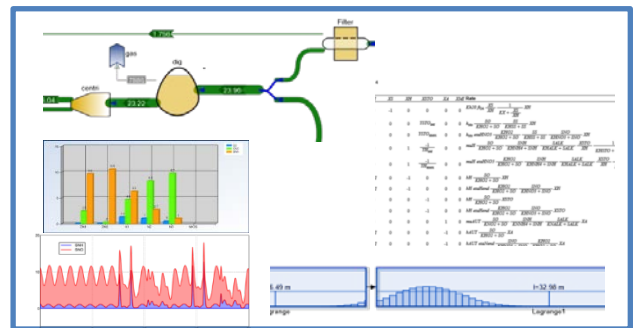


Model libraries

- Activated sludge, biofilm, membrane system
- Anaerobic digestion and sludge treatment
- Sewage transport, storage and conversion
- River water transport and quality
- Instrumentation and control systems
- Aeration system (blower, valves, diffusers)
- Hydrologic / hydrodynamic sewer modeling

Selected Features

- Advanced Gujer process matrix editor
- Tools for result evaluation and LCA studies
- Sankey diagrams
- Powerful graphical scripting tools
- PLC code editor (IEC 61131 ST)
- Time-based control using Petri Nets
- Pollutants in sewers and rivers



Training & Support

inCTRL offers industry-leading software support. We provide training sessions in our offices and at client sites to help you get started. With our Premium Support Package we make sure you get your simulation job done.



Development

ifak e.V. Magdeburg

Werner-Heisenberg-Str. 1 | 39106 Magdeburg | Germany
+49(0)391.9901-469 | jens.alex@ifak.eu | simba.ifak.eu



Sales & Support

inCTRL Solutions Inc.

470 Anthony Dr. | Oakville ON | L6J 2K5 | Canada
+1(905) 334.4027 | simba@inCTRL.ca | www.inCTRL.ca